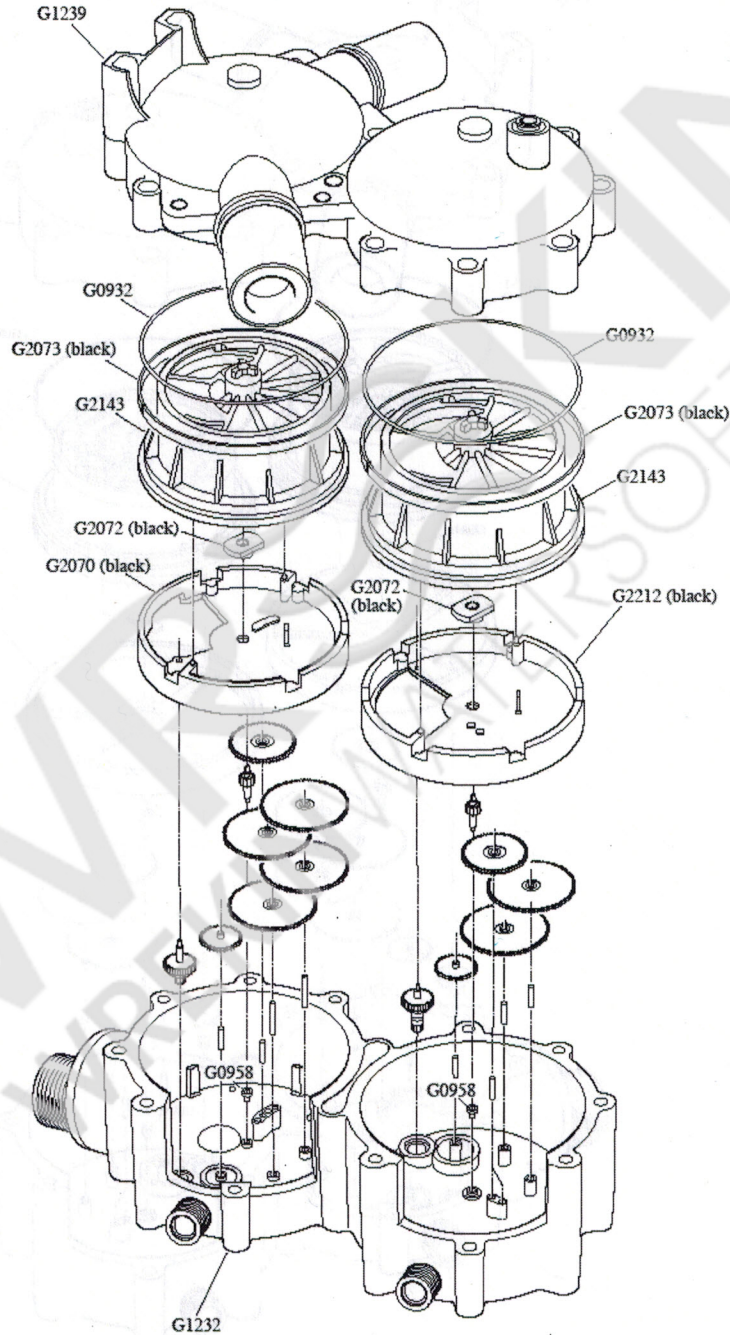


# Non Electric Water Softener Spare Parts List



**Meter Bottom Assembly**  
From serial number H20/63160