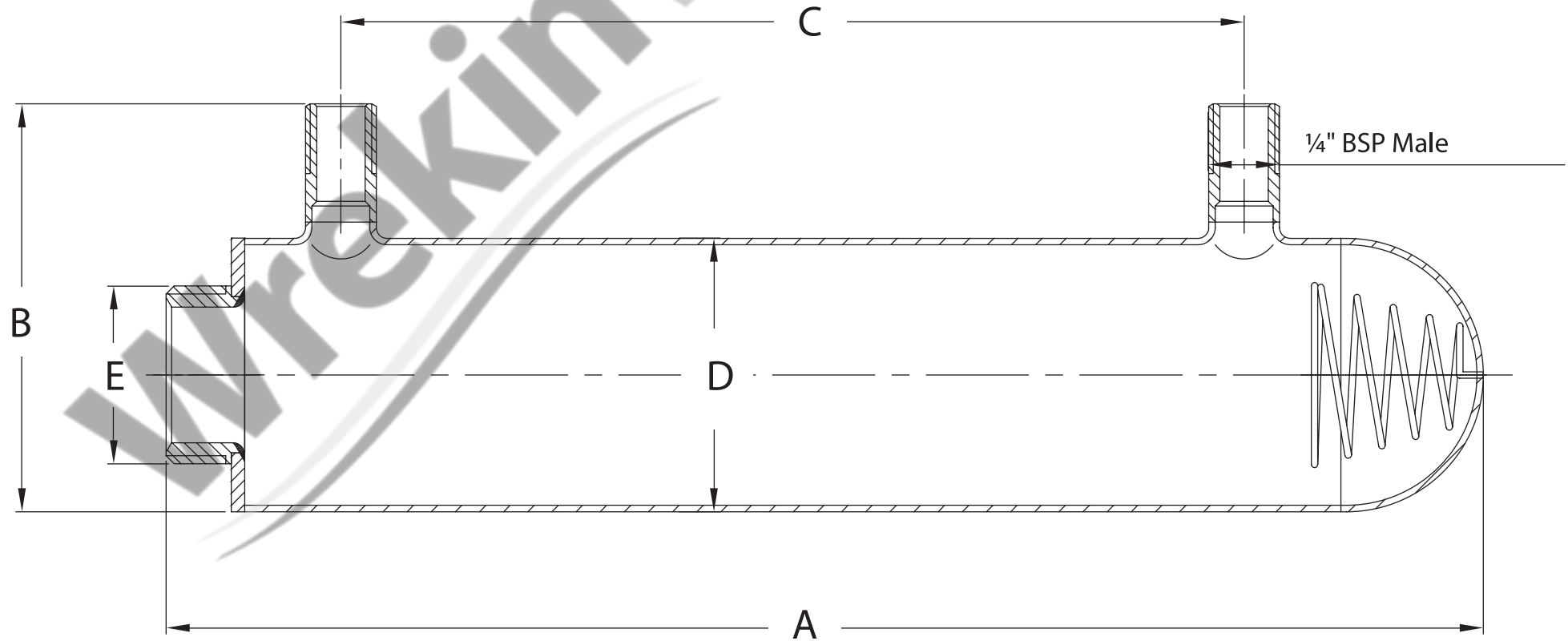


# SABRE ULTRAVIOLET DISINFECTION SYSTEM (4LPM)

## SUV-S-4-1/4



PRODUCT CODE	PORT SIZES (")	DIMENSION (mm)				
		A	B	C	D	E
SUV-S-4-1/4	1/4	245	75.8	168	$\text{Ø}50.8$	G1"